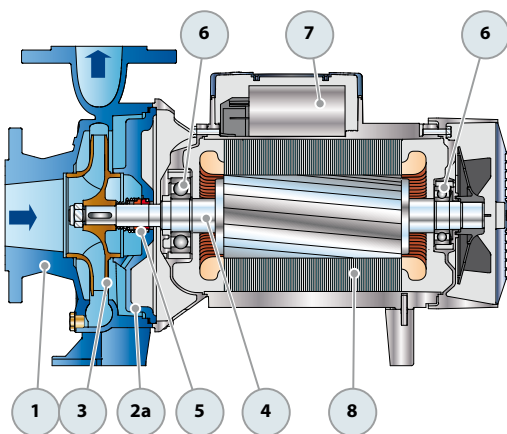
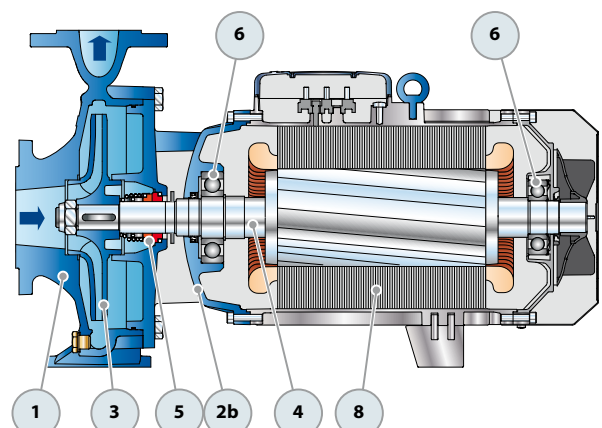


## POS. COMPONENT CONSTRUCTION CHARACTERISTICS

<b>1 PUMP BODY</b>	Cast iron complete with flanged suction and delivery ports				
<b>2a BODY BACKPLATE</b>	Cast iron for F32/160, F32/200, F40/125, F40/160, F40/200, F50/125, F50/160, F65/125				
<b>2b MOTOR BRACKET</b>	Cast iron for F32/250, F40/250, F50/200, F50/250, F65/160, F65/200, F65/250, F80/160, F80/200, F80/250, F100/160, F100/200, F100/250				
<b>3 IMPELLER</b>	Brass for F32/160, F32/200, F40/125, F40/160, F40/200, F50/125, F50/160 Cast iron for F32/250, F40/250, F50/200, F50/250, F65/125, F65/160, F65/200, F65/250, F80/160, F80/200, F80/250, F100/160, F100/200, F100/250				
<b>4 MOTOR SHAFT</b>	Stainless steel EN 10088-3 - 1.4104				
<b>5 MECHANICAL SEAL</b>	<b>Pump Model</b>	<b>Seal Model</b>	<b>Shaft Diameter</b>	<b>Stationary ring</b>	<b>Materials</b> Rotational ring    Elastomer
	F32/160, F40/125, F40/160, 50/125	<b>FN-20</b>	<b>Ø 20 mm</b>	Graphite	Ceramic    NBR
	F32/200, F40/200, F50/160, F65/125	<b>FN-24</b>	<b>Ø 24 mm</b>	Graphite	Ceramic    NBR
	F50/200, F65/160, F65/200, F80/160, F100/160	<b>FN-32 NU</b>	<b>Ø 32 mm</b>	Graphite	Ceramic    NBR
	F32/250, F40/250, F50/250	<b>FN-38</b>	<b>Ø 38 mm</b>	Graphite	Ceramic    NBR
	F65/250, F80/200, F80/250B, F100/200	<b>FN-40 NU</b>	<b>Ø 40 mm</b>	Graphite	Ceramic    NBR
	F80/250A, F100/250	<b>FH-45 NU</b>	<b>Ø 45 mm</b>	Graphite	Ceramic    NBR
<b>6 BEARINGS</b>	<b>Pump Model</b>	<b>Model</b>	<b>Pump Model</b>	<b>Model</b>	
	F32/160C    F40/160C	<b>6206 ZZ-C3 / 6204 ZZ</b>	F32/250    F50/200	<b>6310 ZZ-C3 / 6308 ZZ-C3</b>	
	F32/160B    F50/125C		F40/250    F65/160		
	F40/125		F50/250    F80/160		
	Fm32/160B    F32/160A	<b>6206 ZZ-C3 / 6205 ZZ</b>	F65/200    F100/160	<b>6312 ZZ-C3 / 6212 ZZ-C3</b>	
	Fm40/160C    F40/160B		F65/250    F80/200		
	Fm50/125C    F50/125B		F80/250B    F100/200		
	F40/160A	<b>6306 ZZ-C3 / 6206 ZZ-C3</b>	F80/250A	<b>6314 ZZ-C3 / 6314 ZZ-C3</b>	
	F50/125A		F100/250		
	F32/200    F40/200	<b>6307 ZZ-C3 / 6206 ZZ-C3</b>			
	F50/160    F65/125				
<b>7 CAPACITOR</b>	<b>Pump</b>	<b>Capacitance</b>			
	<b>Single-phase</b>	<b>(230 V or 240 V)</b>			
	Fm32/160C	<b>45</b> µF - 450 VL			
	Fm32/160B	<b>70</b> µF - 450 VL			
	Fm40/125C	<b>31.5</b> µF - 450 VL			
	Fm40/125B	<b>45</b> µF - 450 VL			
	Fm40/160C	<b>70</b> µF - 450 VL			
	Fm50/125C	<b>70</b> µF - 450 VL			
<b>8 ELECTRIC MOTOR</b>	<b>Fm:</b> single-phase 230 V - 50 Hz with thermal overload protector incorporated into the winding (up to 1.5 kW) <b>F:</b> <b>three-phase 230/400 V - 50 Hz up to 4 kW</b> <b>400/690 V - 50 Hz from 5.5 to 75 kW</b> ➡ <b>The three-phase pumps are fitted with high performance motors up to P<sub>2</sub>=1.1kW in class IE2 and from P<sub>2</sub>=1.5kW in class IE3 (IEC 60034-30)</b> – Insulation: class F    – Protection: IP X5				



Single-phase version



Three-phase version

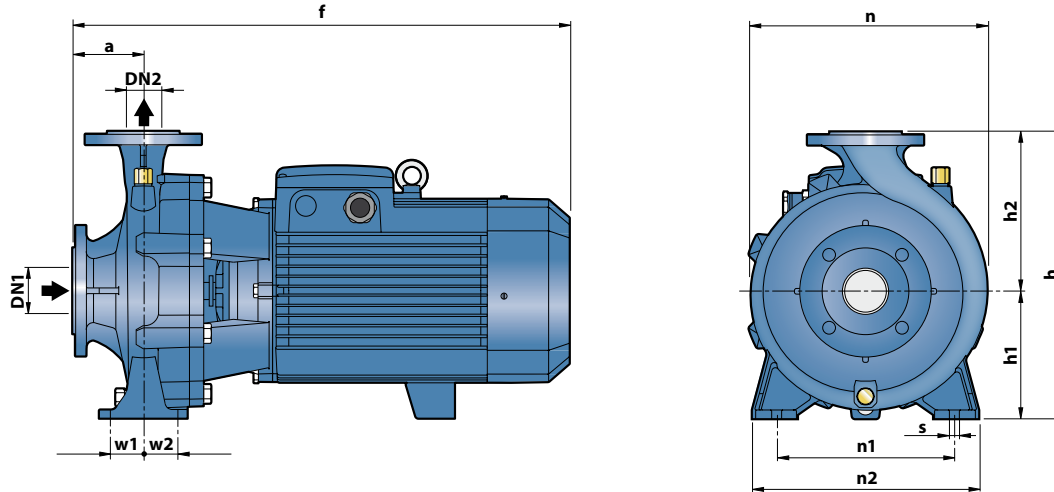
## ABSORPTION

MODEL	VOLTAGE	
	230 V	240 V
Single-phase		
Fm 32/160C	11.0 A	10.0 A
Fm 32/160B	15.0 A	13.8 A
Fm 40/125C	8.6 A	7.8 A
Fm 40/125B	15.0 A	13.8 A
Fm 40/160C	15.0 A	13.8 A
Fm 50/125C	15.0 A	13.8 A

MODEL	VOLTAGE		
	230÷240 V	400÷415 V	690÷720 V
Three-phase			
F 32/160C	7.5 A	4.3 A	2.5 A
F 32/160B	10.0 A	5.8 A	3.4 A
F 32/160A	12.0 A	7.3 A	4.2 A
F 32/200C	17.9 A	10.3 A	5.9 A
F 32/200B	-	11.7 A	6.7 A
F 32/200A	-	14.9 A	8.6 A
F 32/200BH	12.6 A	7.3 A	4.2 A
F 32/200AH	15.4 A	8.9 A	5.1 A
F 32/250C	-	17.2 A	9.9 A
F 32/250B	-	21.0 A	12.0 A
F 32/250A	-	27.0 A	15.6 A
F 40/125C	5.7 A	3.3 A	1.9 A
F 40/125B	7.5 A	4.3 A	2.5 A
F 40/125A	10.0 A	5.8 A	3.4 A
F 40/160C	9.9 A	5.7 A	3.3 A
F 40/160B	12.0 A	6.9 A	4.0 A
F 40/160A	17.2 A	9.9 A	5.7 A
F 40/200B	-	12.6 A	7.3 A
F 40/200A	-	15.6 A	9.0 A
F 40/250C	-	21.0 A	12.1 A
F 40/250B	-	23.5 A	13.6 A
F 40/250A	-	30.5 A	17.6 A
F 50/125C	9.4 A	5.4 A	3.1 A
F 50/125B	12.0 A	6.9 A	4.0 A
F 50/125A	16.3 A	9.4 A	5.4 A
F 50/160C	15.8 A	9.1 A	5.3 A
F 50/160B	-	12.3 A	7.1 A
F 50/160A	-	15.5 A	8.9 A
F 50/200C	-	23.0 A	13.3 A
F 50/200B	-	29.5 A	17.0 A
F 50/200A	-	34.5 A	20.0 A
F 50/200AR	-	41.5 A	24.0 A

MODEL	VOLTAGE		
	230÷240 V	400÷415 V	690÷720 V
Three-phase			
F 50/250D	-	17.2 A	9.9 A
F 50/250C	-	21.0 A	12.0 A
F 50/250B	-	27.0 A	15.6 A
F 50/250A	-	34.0 A	19.6 A
F 50/250AR	-	41.0 A	24.0 A
F 65/125C	17.5 A	10.0 A	5.8 A
F 65/125B	-	12.0 A	7.0 A
F 65/125A	-	16.5 A	9.5 A
F 65/160C	-	19.0 A	11.0 A
F 65/160B	-	23.0 A	13.5 A
F 65/160A	-	27.5 A	16.0 A
F 65/200B	-	31.0 A	18.0 A
F 65/200A	-	34.0 A	19.5 A
F 65/200AR	-	41.0 A	23.7 A
F 65/250C	-	53.0 A	31.0 A
F 65/250B	-	65.0 A	38.0 A
F 65/250A	-	79.0 A	46.0 A
F 80/160D	-	22.0 A	13.0 A
F 80/160C	-	29.0 A	17.0 A
F 80/160B	-	34.5 A	20.0 A
F 80/160A	-	39.0 A	22.5 A
F 80/200B	-	53.0 A	31.0 A
F 80/200A	-	65.0 A	38.0 A
F 80/250B	-	79.0 A	46.0 A
F 80/250A	-	98.0 A	57.0 A
F 100/160C-N	-	31.0 A	18.0 A
F 100/160B-N	-	36.0 A	21.0 A
F 100/160A-N	-	42.0 A	24.0 A
F 100/200C	-	53.0 A	31.0 A
F 100/200B	-	65.0 A	38.0 A
F 100/200A	-	79.0 A	46.0 A
F 100/250B	-	98.0 A	57.0 A
F 100/250A	-	126.0 A	73.0 A

## DIMENSIONS AND WEIGHT



MODEL		DIMENSIONS mm													kg														
Single-phase	Three-phase	DN1	DN2	a	f	h	h1	h2	n	n1	n2	w1	w2	s	1~	3~													
Fm 32/160C	F 32/160C	50	32	80	412	340	160	180	270	190	240	35	35	14	32.7	32.1													
Fm 32/160B	F 32/160B				448/412										292	132	160	242	37.5	33.4									
-	F 32/160A				448										-	-	-	-	-	-									
-	F 32/200C				469										-	-	-	-	-	-									
-	F 32/200B				515										-	-	-	-	-	-									
-	F 32/200A				469										-	-	-	-	-	-									
-	F 32/200BH				469										-	-	-	-	-	-									
-	F 32/200AH			606	405	180	225	330	250	320	47.5	47.5	-		100.0	102.0													
-	F 32/250C			701	-	-	-	-	-	-	-	-	-		-	-	119.8												
Fm 40/125C	F 40/125C			65	40	80	421	340	160	180	275	212	265		35	35	31.5	29.5											
Fm 40/125B	F 40/125B						448/412										292	132	160	240	190	240	-	37.5	33.5				
-	F 40/125A						448										-	-	-	-	-	-	-	-	-	-	-	33.0	
Fm 40/160C	F 40/160C						465										-	-	-	-	-	-	-	-	-	-	-	37.6	33.5
-	F 40/160B						535										-	-	-	-	-	-	-	-	-	-	-	-	37.5
-	F 40/160A	465	-				-							-			-	-	-	-	-	-	-	-	-	37.5			
-	F 40/200B	535	-				-							-			-	-	-	-	-	-	-	-	-	54.0			
-	F 40/200A	535	-			-	-	-	-	-	-	-	-	-	-	-	60.0												
-	F 40/250C	606	405			180	225	328	250	320	47.5	47.5	-	100.0	102.0														
-	F 40/250B	701	-			-	-	-	-	-	-	-	-	-	-	119.8													
-	F 40/250A	701	-			-	-	-	-	-	-	-	-	-	-	119.8													
Fm 50/125C	F 50/125C	65	50			100	465/431	360	160	180	269	212	265	35	35	37.3	33.2												
-	F 50/125B						465									292	132	160	242	190	240	-	37.2	37.2					
-	F 50/125A						484									-	-	-	-	-	-	-	-	-	-	-	43.3		
-	F 50/160C			489	-		-									-	-	-	-	-	-	-	-	-	48.0				
-	F 50/160B			535	-		-									-	-	-	-	-	-	-	-	-	52.5				
-	F 50/160A			535	-		-									-	-	-	-	-	-	-	-	-	56.4				
-	F 50/200C			616	-		-									-	-	-	-	-	-	-	-	-	97.7				
-	F 50/200B			711	360	200	316	-	-	-	-	-	-	-	-	114.0													
-	F 50/200A			711	360	200	316	-	-	-	-	-	-	-	-	126.5													
-	F 50/200AR			743	-	-	-	-	-	-	-	-	-	-	-	140.3													
-	F 50/250D			606	-	-	-	-	-	-	-	-	-	-	-	101.3													
-	F 50/250C			606	-	-	-	-	-	-	-	-	-	-	-	103.3													
-	F 50/250B			701	405	180	225	337	250	320	-	-	-	-	-	120.4													
-	F 50/250A			701	405	180	225	337	250	320	-	-	-	-	-	134.3													
-	F 50/250AR	733	-	-	-	-	-	-	-	-	-	-	-	147.4															
-	F 65/125C	511	-	-	-	-	-	-	-	-	-	-	-	53.5															
-	F 65/125B	557	340	180	291	-	-	-	-	-	-	-	-	56.8															
-	F 65/125A	557	340	160	180	291	212	280	-	-	-	-	-	63.3															
-	F 65/160C	621	360	200	300	-	-	-	-	-	-	-	-	98.3															
-	F 65/160B	621	360	200	300	-	-	-	-	-	-	-	-	99.3															
-	F 65/160A	716	-	-	-	-	-	-	-	-	-	-	-	114.3															
-	F 65/200B	716	-	-	-	-	-	-	-	-	-	-	-	120.3															
-	F 65/200A	719	-	-	-	-	-	-	340	-	-	-	-	132.9															
-	F 65/200AR	751	-	-	-	-	-	-	340	-	-	-	-	144.4															
-	F 80/160D	652	405	180	225	-	-	-	250	320	-	-	-	103.8															
-	F 80/160C	747	-	-	-	-	-	-	330	-	-	-	-	115.6															
-	F 80/160B	747	-	-	-	-	-	-	330	-	-	-	-	133.1															
-	F 80/160A	779	-	-	-	-	-	-	330	-	-	-	-	144.6															
-	F 100/160C-N	758	480	200	280	-	-	-	362	280	360	60	60	18	126.3														
-	F 100/160B-N	790	-	-	-	-	-	-	362	280	360	60	60	18	136.3														
-	F 100/160A-N	790	-	-	-	-	-	-	362	280	360	60	60	18	151.3														